

Large Flange Head Plus Nut

Body Type: Round Open

Outside Body: Smooth

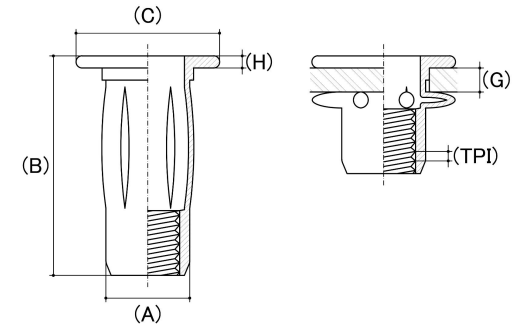
Thread Type: Metric - Coarse

Body Material: Steel to BS 970 040A04

Class Grade: Low Tensile Class 4.6

Finish: Zinc Plated

Corrosion Protection Level: Moderate



*CAD drawings shown for graphic representation only.**

Size	Thread Pitch (mm)	Thread Type	Material Grip Range (G) (mm)		Overall Nut Height (B) (mm)	Head Diameter (C) (mm)	Nut Width (A) (mm)	Flange Thickness (H) (mm)	Recommended Hole Size (mm)	Pull Out (KN)	Push Out (KN)	Torque To Turn (NM)	sku (qfind)
			Min	Max	Nom	Nom	Nom	Nom	Nom	Nom	Nom	Nom	
M5	0.80	Coarse	0.50	4.45	22.00	12.70	7.50	1.00	7.50	-	-	-	43PN5
M5	0.80	Coarse	4.45	8.10	24.80	12.70	7.50	1.00	7.50	-	-	-	43PN52
M6	1.00	Coarse	0.50	7.10	26.90	15.90	8.80	1.50	10.00	12	5	22	43PN6
M6	1.00	Coarse	7.10	12.70	32.80	15.90	8.80	1.50	10.00	12	5	22	43PN62
M8	1.25	Coarse	0.50	7.10	30.50	19.00	11.10	1.60	12.70	19	9	42	43PN8
M8	1.25	Coarse	7.10	12.70	36.50	19.00	11.10	1.60	12.70	19	9	42	43PN82
M10	1.50	Coarse	0.50	7.10	33.10	22.30	15.00	2.20	15.10	30	30	60	43PN10

Disclaimer:

Dimensional data and technical information was obtained from publically available sources and not acquired through standard agencies. It has been completed and compiled for reference purposes only; where discrepancies are found they are subject to change without notice. Bolt & Nut Australia makes no warranties or representations regarding the accuracy and validity of the compiled information and data. Contact the relevant standard authorities for accurate and detailed information.

* CAD drawings may not reflect diameter, thread length or overall length.

© Bolt & Nut Australia Pty Ltd. All rights reserved.

Version: 18 Mar 2024